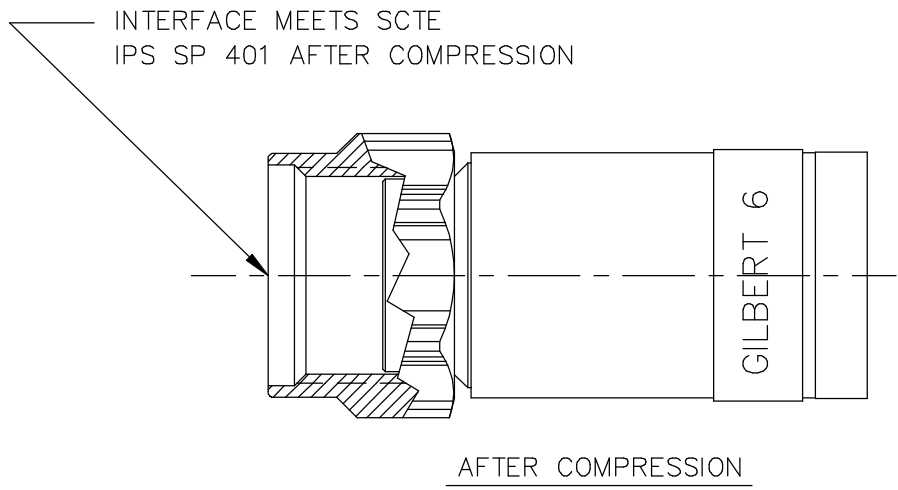
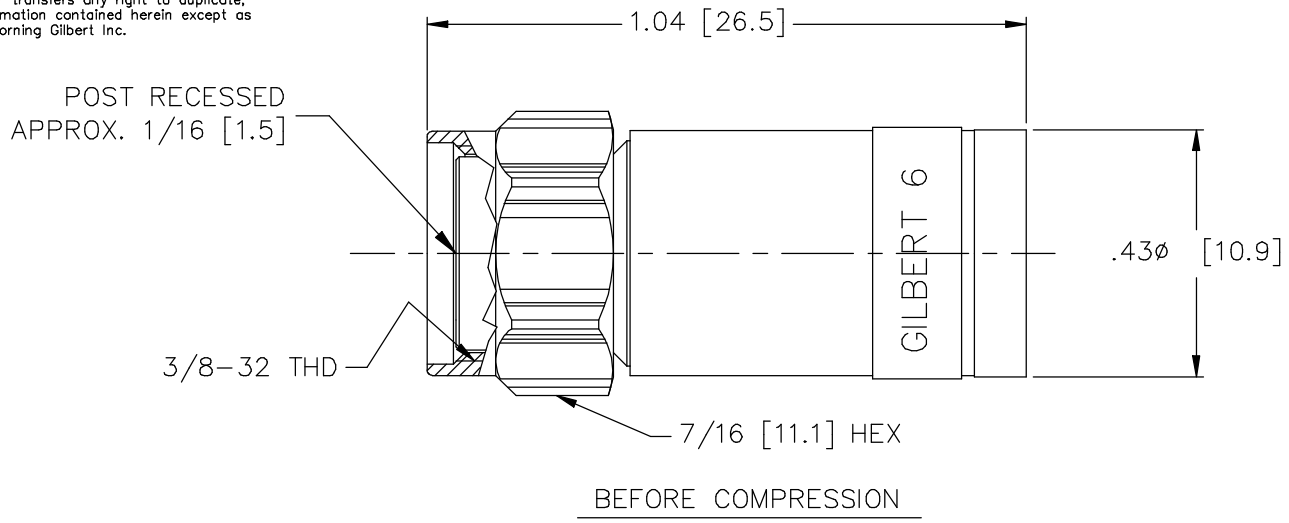


This drawing and any data contained therein is the property of Corning Gilbert Inc., and constitutes and contains proprietary and confidential information. Neither receipt nor possession of this drawing confers or transfers any right to duplicate, use, or disclose any information contained herein except as expressly authorized by Corning Gilbert Inc.

REV.	DESCRIPTION	DATE	APP'D.
------	-------------	------	--------



**MATERIAL AND FINISH**

COUPLING NUT: BRASS, NICKEL  
 BODY: UV RESISTANT POLYMER  
 SHELL: BRASS, NICKEL  
 POST: BRASS, BRIGHT ACID TIN

# Corning Gilbert Inc.

BY	DATE
DRAWN DB	8.4.04

TITLE STANDARD DRAWING  
 FOR GF-UE-6  
 CONNECTOR ASSEMBLY

ALL DIMENSIONS ARE IN  
 INCHES AND [MILLIMETERS].

DO NOT SCALE SHT. 1 OF 1

SS DWG.  
 REV. B

A  
 SIZE

DWG. NO.  
 SS-10614-3

DWG.  
 REV.